

File 2H suspension double emission

code F2H06.8TWP/01

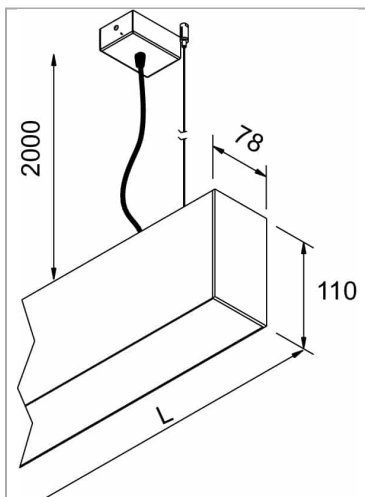


PRODUCT DESCRIPTION

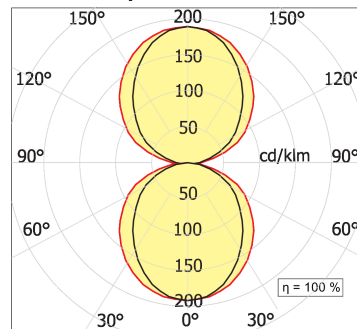
Direct and diffused light with opal diffuser

PRODUCT SPECS

Installation method	Suspension
Absorbed power	51,2 W
Color temperature	Tunable White
Color rendering index CRI	>90
Optic	Opal polycarbonate diffuser
Finishing	White
MacAdam color tolerance	3
Life time estimate	50000h Ta 25° L80B10
Protocol	On/Off
Energy efficiency class	E
Dimension	L89.17"
IP Grade	IP40
Power supply	220-240V 50-60Hz



FILE2H opal biemission LED



WEB PAGE



ASSEMBLY INSTRUCTIONS





Complies with EN605981 and related notes. In the absence of metric symbols, the measurements are all in millimetres.
Luminous flux and power data are initially subject to tolerances +/- 10%. The values refer to an ambient temperature of 25°C unless otherwise specified.
We reserve the right to make changes to our products at any time.

Page 2 / 2