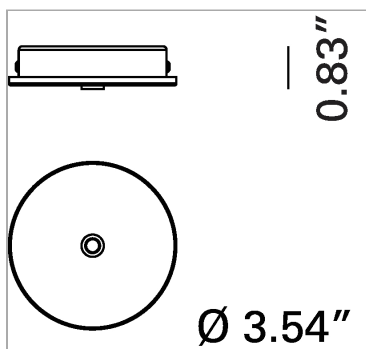


**CANOPY CONNECTION**

code LB420/01

**PRODUCT DESCRIPTION**

REGISTERED DESIGN - File Flex is a versatile extruded aluminium profile, which can design infinite shapes. Its asymmetrical section is designed to realize unique lighting effects meanwhile ensuring optimal illumination levels. The linear LED source screened by a flexible opal extruded silicone diffuser creates seamless lighting effects. The system allows the use of blind modules, multi-optic from Leva series or adjustable spot from Spot Focus series Ø26 and Ø36. It has to be completed by stabilized drivers 24V or 48V.

**PRODUCT SPECS**

Installation method	system
Finishing	White
Weight	0.40 Lbs
Dimension	"

**WEB PAGE****ASSEMBLY INSTRUCTIONS**