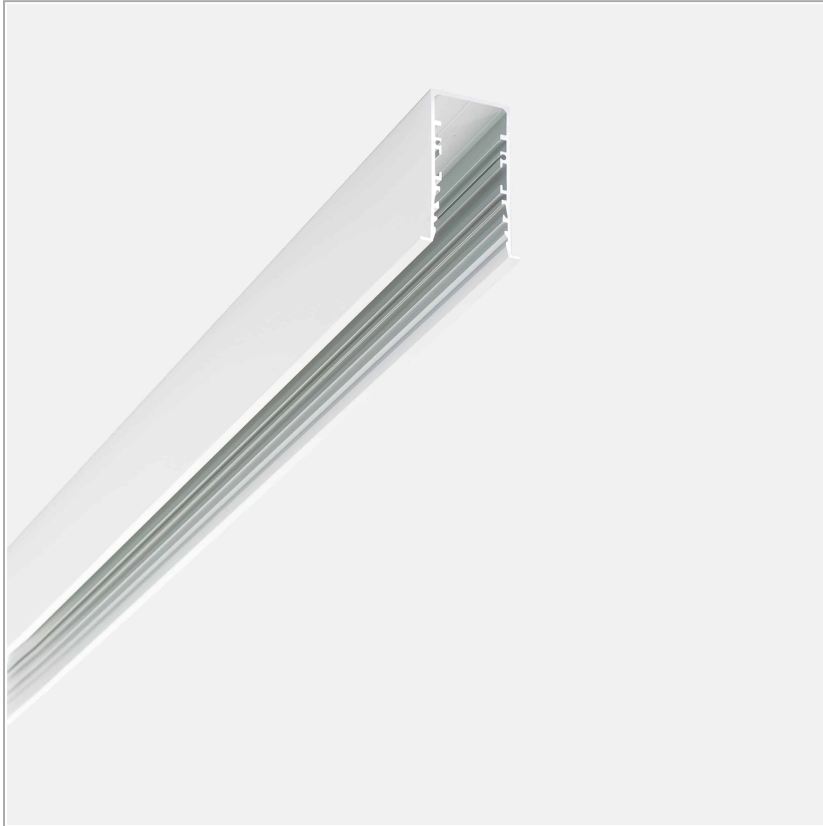


Minifile System Recessed empty profile

code LTM0IN.3000/01

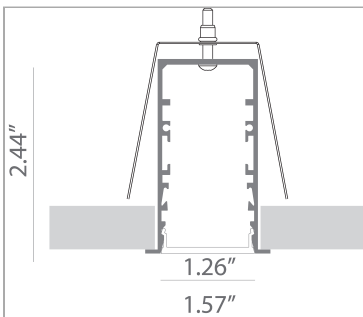


PRODUCT DESCRIPTION

Modular system for direct, diffused, accent or wallwasher, made of 62x32 mm painted or anodised extruded aluminium empty profiles, available in predefined lengths or cut to measure. Available in wall-mounted, ceiling-mounted, suspended, trimless recessed or recessed with super-slim 5 mm. width edge trim versions. To be integrated with linear LED sources, LED spotlights, complete with 50/60 Hz 230/240 V electronic power supply. To be completed with Light Proof system side end caps, opal white polycarbonate diffusing screen, quick mounting extruded aluminium shapers (for linear LEDs and spotlight LEDs) or closing profiles, available in predefined lengths or cut to measure, and mounting brackets or suspension cables. IP20 or IP40 protection degree depending on the selected lighting combinations.

PRODUCT SPECS

Installation method	system
Finishing	White
Dimension	L118.11xW1.26xH2.44"
Hole size	34 x L +2 mm



WEB PAGE



ASSEMBLY INSTRUCTIONS



Complies with EN605981 and related notes. In the absence of metric symbols, the measurements are all in millimetres. Luminous flux and power data are initially subject to tolerances +/- 10%. The values refer to an ambient temperature of 25°C unless otherwise specified. We reserve the right to make changes to our products at any time.

OPTIONAL ACCESSORIES

Container Minifile Empty profile



code LTMF.1000/01

Recessed with frame / system indoor item. Bianco finishing item
*extruded aluminium to recess in Brick or reinFORced concrete. Through this code it's possible to order the profile in a not-standard linear lenght. Replace the word "misura" with the desired lenght in mm. To order a profile with one or both ends 45° angle-cut add the letter "D" (right cut) or "S" (left cut) to the standard or custom lenght . for lenghts over 3 mt. to max. 6 mt. transport conditions to negotiate.

Technical Sheet



code LTMF.2000/01

Recessed with frame / system indoor item. Bianco finishing item
*extruded aluminium to recess in Brick or reinFORced concrete. Through this code it's possible to order the profile in a not-standard linear lenght. Replace the word "misura" with the desired lenght in mm. To order a profile with one or both ends 45° angle-cut add the letter "D" (right cut) or "S" (left cut) to the standard or custom lenght . for lenghts over 3 mt. to max. 6 mt. transport conditions to negotiate.

Technical Sheet



code LTMF.3000/01

Recessed with frame / system indoor item. Bianco finishing item
*extruded aluminium to recess in Brick or reinFORced concrete. Through this code it's possible to order the profile in a not-standard linear lenght. Replace the word "misura" with the desired lenght in mm. To order a profile with one or both ends 45° angle-cut add the letter "D" (right cut) or "S" (left cut) to the standard or custom lenght . for lenghts over 3 mt. to max. 6 mt. transport conditions to negotiate.

Technical Sheet



code LTMF.misura/01

Recessed with frame / system indoor item. Bianco finishing item
*extruded aluminium to recess in Brick or reinFORced concrete. Through this code it's possible to order the profile in a not-standard linear lenght. Replace the word "misura" with the desired lenght in mm. To order a profile with one or both ends 45° angle-cut add the letter "D" (right cut) or "S" (left cut) to the standard or custom lenght . for lenghts over 3 mt. to max. 6 mt. transport conditions to negotiate.

Technical Sheet



Accessori Wallbox Couple of closure heads for wallbox MINIFILE



code LTM200.1

Ccouple of closure heads for wallbox minifile

Technical Sheet

