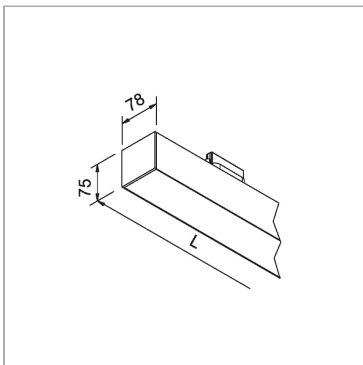


File 2 track 24W/m

code F2502.830PD/01



PRODUCT DESCRIPTION

Direct light indoor track lamp made of extruded aluminum 6060; complete with LED; color rendering index CRI>90. Protocol Dimmable Dali; lamp with colour finish white; in polycarbonate with diffusing film. Protection rating IP40/IP43. Can be installabile on most tracks 3 phases in trade the product in white and oxised silver mount a white track adapter. The product in black, oxised inox, moka mount a black track adapter. For connection to theOne Track (A.A.G. Stucchi) or Global Track pulse (Nordic Aluminium).

PRODUCT SPECS

Installation method	Track
Absorbed power	25,6 W
Color temperature	3000K
Color rendering index CRI	>90
Optic	Opal polycarbonate diffuser
Finishing	White
Luminous flux of the product	3968 lm
Luminous efficiency	155 lm/W
MacAdam color tolerance	3
Life time estimate	50000h Ta 25° L80B10
Protocol	Dimmable Dali
Energy efficiency class	E
Dimension	L44.88"
IP Grade	Inst. Parete Ip40 / Inst. Soffitto Ip43
Power supply	220-240V 50-60Hz

WEB PAGE



ASSEMBLY INSTRUCTIONS

